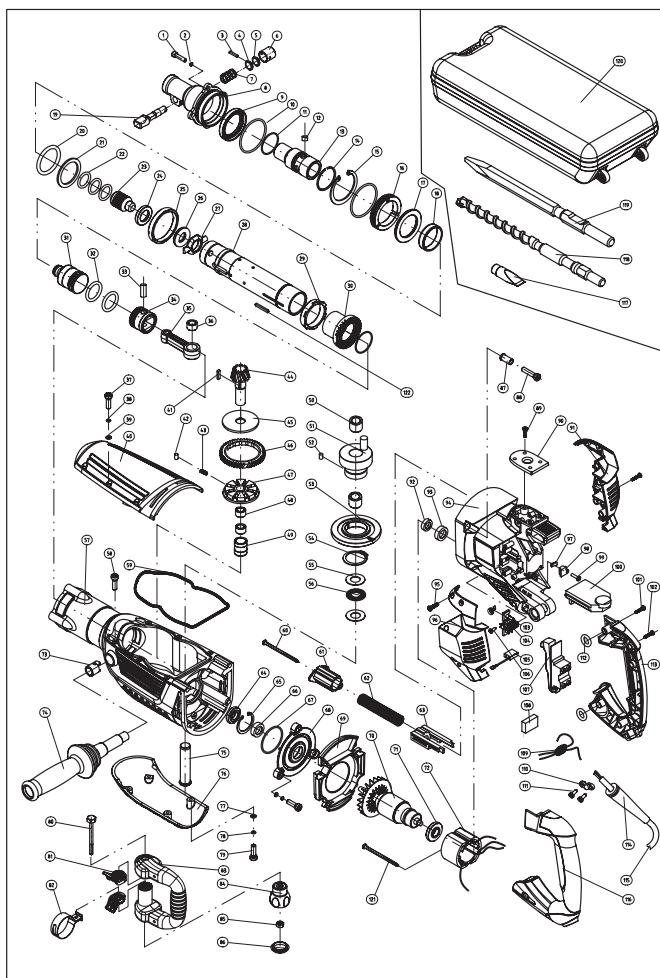


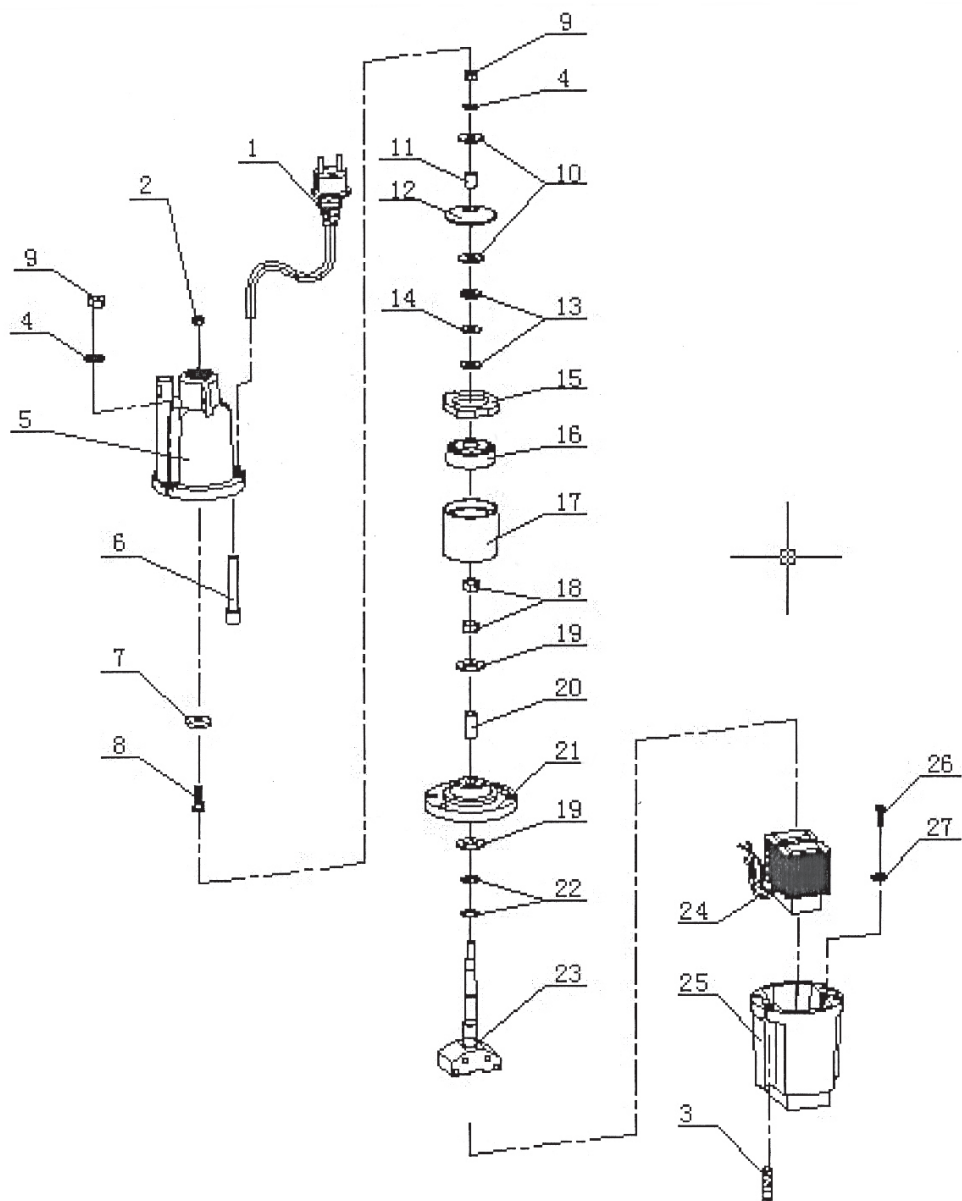
WATER PUMP SERIES

RD - WP10
RD - WP16
RD - WP12
RD - WP13
RD - WP002EX



СЕРВИЗНА ЧАСТ
TECHNICALSCHEMES

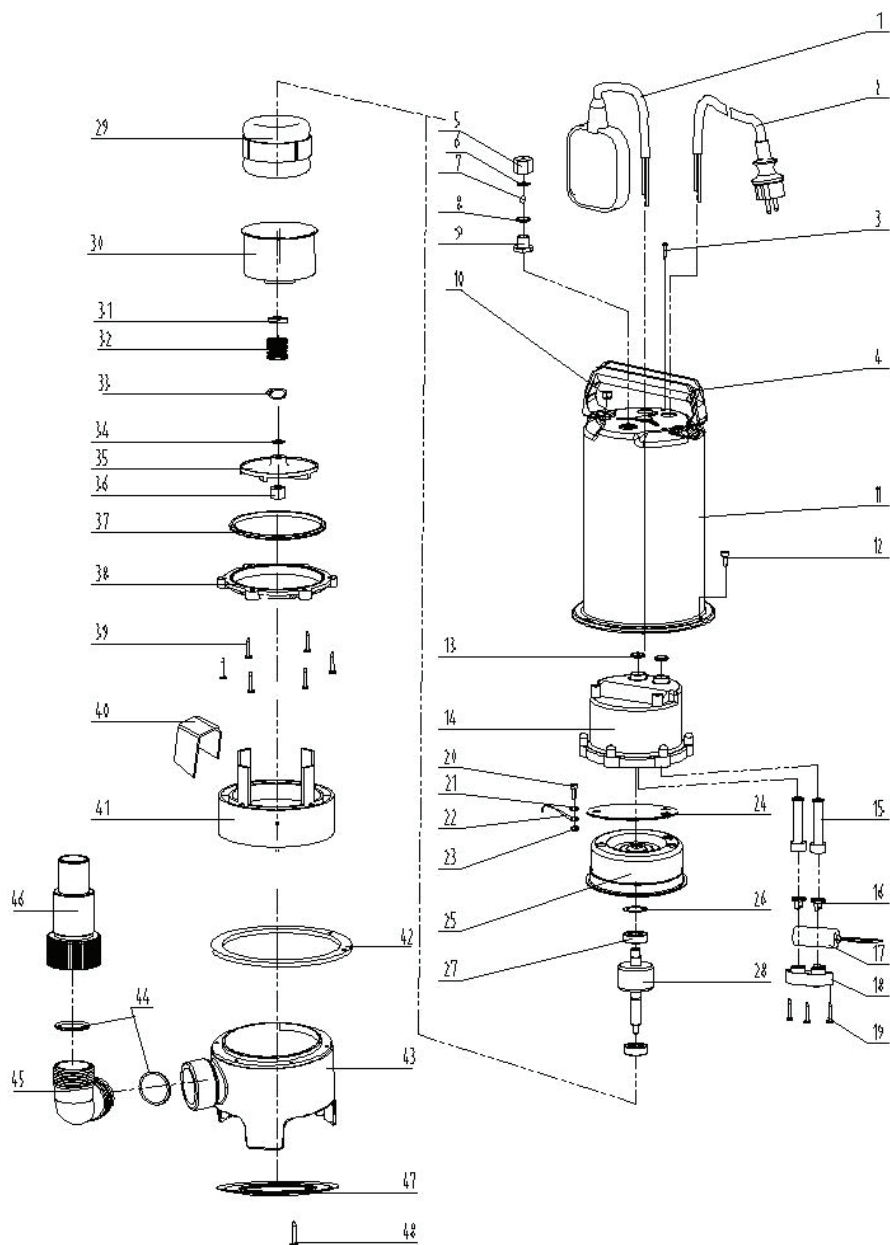
RD-WP10



PARTS LIST RD-WP10

No	Name	Material	Note	Qty	specifications
1	Power cord			1	
2	Cover-type nut		M6	1	
3	Serrated lock nut		M6	1	
4	Locknut		M8	4	
5	On the pump	ZL102		1	
6	Cable sheath	EPDM		1	
7	Inlet rubber sheet	NR		1	
8	Axial screw	35	M6*22	1	
9	Locknut		M8	1	
10	Gasket		ø8*16*1.0	1	
11	Spherical washer	Q215	ø8.5*26.5*1.5	2	
12	Sucker bush	45	ø8*12*14	1	
13	Rubber suction cups	NR		1	
14	Adjust the gasket	Q215	ø8.0×D22×H2	2	(Reference number)
15	Adjust the gasket	Q215	ø8.0×D22×H0.5	2	(Reference number)
16	Gland	Nylon		1	
17	Rubber lining ring	NR		1	
18	Aluminum lining ring	ZL102		1	
19	Nut		M12	2	1-type hexagonal nut - fine tooth-A and Class B - color coating
20	Gasket	Q215	ø12.2×D31×H1.5	1	
21	Flanged bushing	45	ø12×18×16	1	
22	Rubber flange			1	
23	Gasket	Q215	ø12.2×D31×H1.5	1	
24	Adjust the gasket	Q215	d12.5×D26×H0.5	3	(Reference number)
25	Magnetic iron components			1	
26	Solenoid assembly			1	
27	Under the pump	ZL102		1	
28	Screw	304	M8×40	4	Hexagon socket head cap screws
29	Epoxy resin			114g	A, B ratio of 5:1
30	Wire connector	H62			
31	Yellow wax tube				
32	Heat shrinkable tube				
33	Ties				
34	Heat shrinkable tube				
35	Ties				

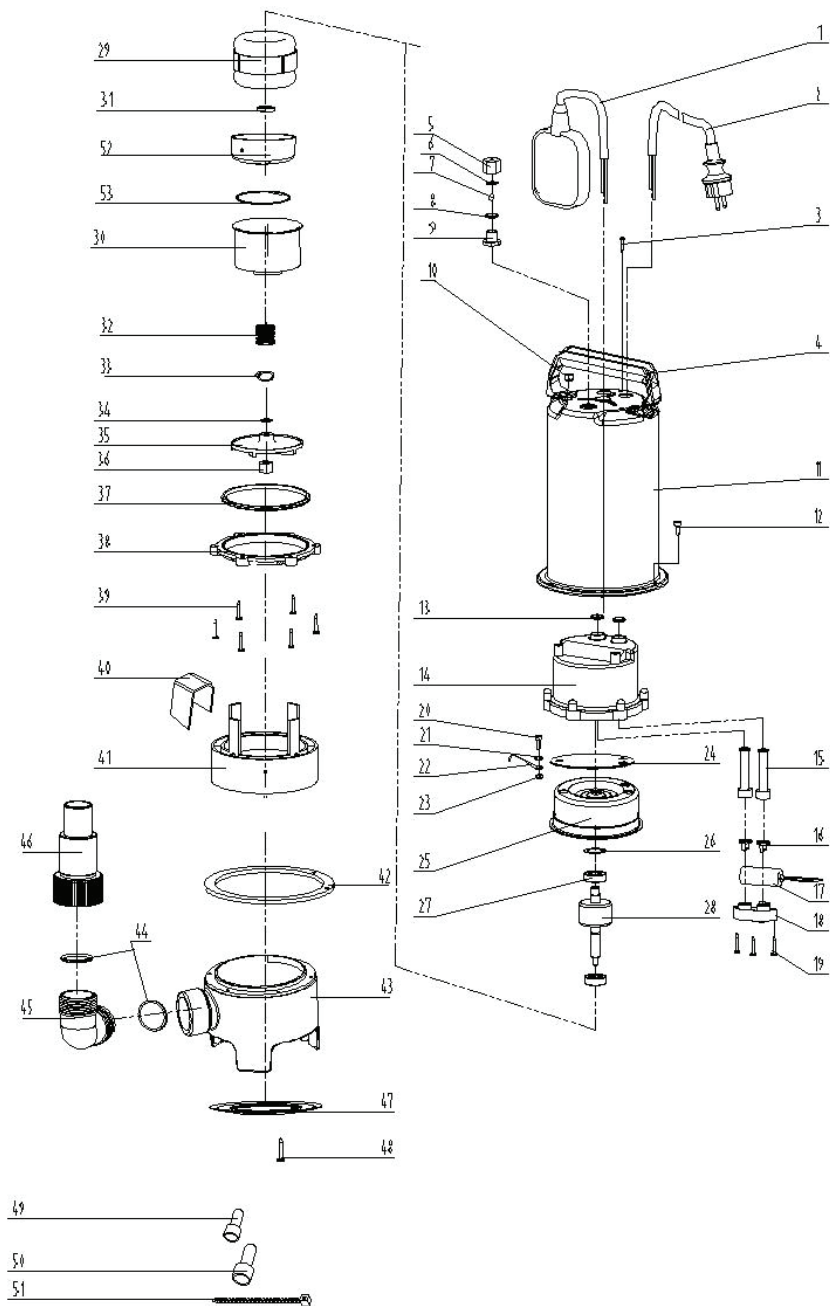
RD-WP12



PARTS LIST RD-WP12

No	Name	Material	Note	Qty
1	Float switch	6A		1
2	Power cord	H05RN-F3G1.0mm2		1
3	Self-tapping screws	ST3.9 × 13 horizontal tail (triangle)	Stainless steel	5
4	Handle	Square handle	PP	1
5	Gas nut		PP-GF20	1
6	Gasket	4×10×3	NBR	1
7	Ball	φ6	Stainless steel	1
8	Ring	φ10×2	NBR	1
9	Vent		PP-GF20	1
10	Cap nut	M5	Stainless steel	2
11	Subject	L153	Stainless steel	1
12	Screw	ST3.9×19	Stainless steel	6
13	O-ring	φ18×2.8	NBR	2
14	After the pump cover		PP-GF20	1
15	Cable sheath	φ6.7, φ7.7	NBR	1
16	Clinching Cable	φ6.7, φ8.7	PA	1
17	Capacitance	8uF		1
18	Cable briquetting		PA	1
19	Self-tapping screws	ST3.9×30.5	Galvanization	3
20	Grounding screw	M4×6	Galvanization	1
21	Spring washer	φ4	65Mn	1
22	Ground lug	φ4		1
23	Corrugated gasket	φ4		1
24	Insulation board		PP	1
25	Motor cover	(Large) ST14	Galvanization	1
26	Wave washer	(Large)	65Mn	1
27	Bearing	6201Z		2
28	Rotor	4-D		1
29	The stator	32mm		1
30	Electric front cover	48mm	ST14	1
31	Ring skeleton	φ24×12×4.5		1
32	Mechanical seal	MG12		1
33	Retainer	φ12		1
34	Gasket	φ15×8×0.5	Stainless steel	1
35	Impeller	4	PA	1
36	Locknut	M8	Stainless steel	1
37	Primary O-ring	φ89×5.2	EPDM	1
38	End ring		PP-GF20	1
39	Self-tapping screws	ST3.9×24	Stainless steel	6
40	Ground card			1
41	Retainer	43 48.5-5.5	PP-GF20	1
42	Gasket	φ147×124×2	NBR	1
43	Base	Sewage (tin)	PP	1
44	Elbow O-Ring	φ37.5×3	NBR	2
45	Elbow	G11/2	PP	1
46	Output connector		PP	1
47	Floor		PP	1
48	Self-tapping screws	ST3.9×19	Stainless steel	3
49	Terminal cap (small)			3
50	Terminal cap (large)			2
51	Ties			1

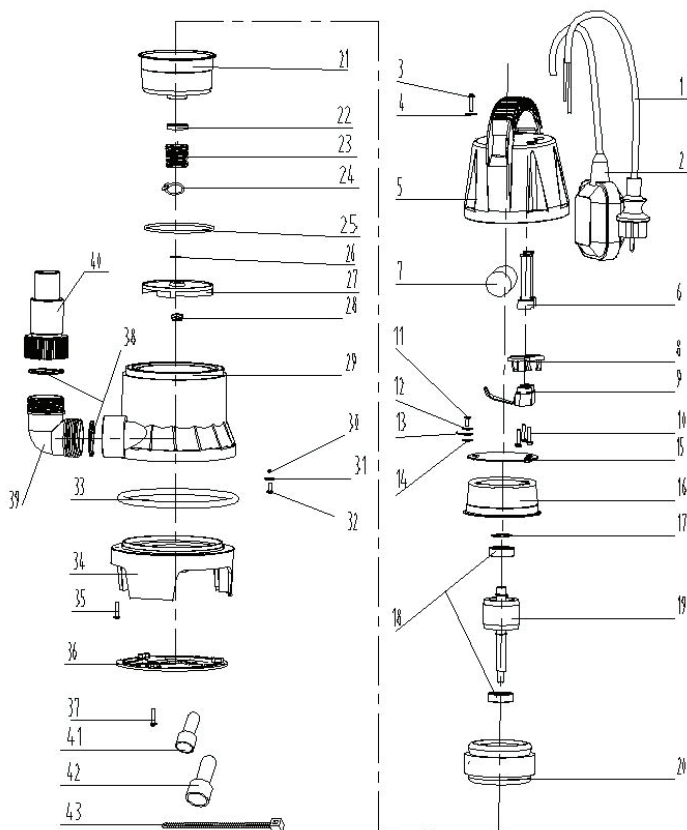
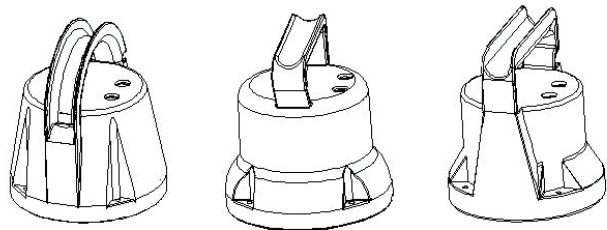
RD-WP13



PARTS LIST RD-WP12

No	Name	Material	Note	Qty
1	Float switch	16A		1
2	Power cord	H07RN-F3G1.0mm2		1
3	Self-tapping screws	ST3.9×13	Stainless steel	5
4	Handle	Square handle	PP	1
5	gas nut		PP-GF20	1
6	Gasket	4×10×3	NBR	1
7	Ball	φ6	Stainless steel	1
8	Ring	φ10×2	NBR	1
9	Vent		PP-GF20	1
10	Cap nut	M5	Stainless steel	2
11	Subject	L170	Stainless steel	1
12	Screw	ST3.9×19	Stainless steel	6
13	O-ring	φ18×2.8	NBR	2
14	After the pump cover		PP-GF20	1
15	Cable sheath	φ6.7, φ7.7	NBR	1
16	Clinching Cable	φ6.7, φ8.7	PA	1
17	Capacitance	16uF		1
18	Cable briquetting		PA	1
19	Self-tapping screws	ST3.9×30.5	Galvanization	3
20	Grounding screw	M4×6	Galvanization	1
21	Spring washer	φ4	65Mn	1
22	Ground lug	φ4		1
23	Corrugated gasket	φ4		1
24	Insulation board		PP	1
25	Motor cover	ST14	Galvanization	1
26	Wave washer		65Mn	1
27	Bearing	6201Z		2
28	Rotor	9-C		1
29	The stator	58mm		1
30	Electric front cover	91mm	ST14	1
31	Ring skeleton	φ24×12×4.5		2
32	Mechanical seal	MG12		1
33	Retainer	φ12		1
34	Gasket	φ15×8×0.5	Stainless steel	1
35	Impeller	7	PA	1
36	Locknut	M8	Stainless steel	1
37	Primary O-ring	φ89×5.2	EPDM	1
38	End ring		PP-GF20	1
39	Self-tapping screws	ST3.9×24	Stainless steel	6
40	Ground card			1
41	Retainer	60-65.5-5.5	PP-GF20	1
42	Gasket	φ147×124×2	NBR	1
43	Base	Sewage (tin)	PP	1
44	Elbow O-Ring	φ37.5×3	NBR	2
45	Elbow	G11/2	PP	1
46	Output connector		PP	1
47	Floor		PP	1
48	Self-tapping screws	ST3.9×19	Stainless steel	3
49	Terminal cap (small)			3
50	Terminal cap (large)			2
51	Ties			1
52	Before lining	30.5		1
53	O-ring	φ83.5*3.5		1

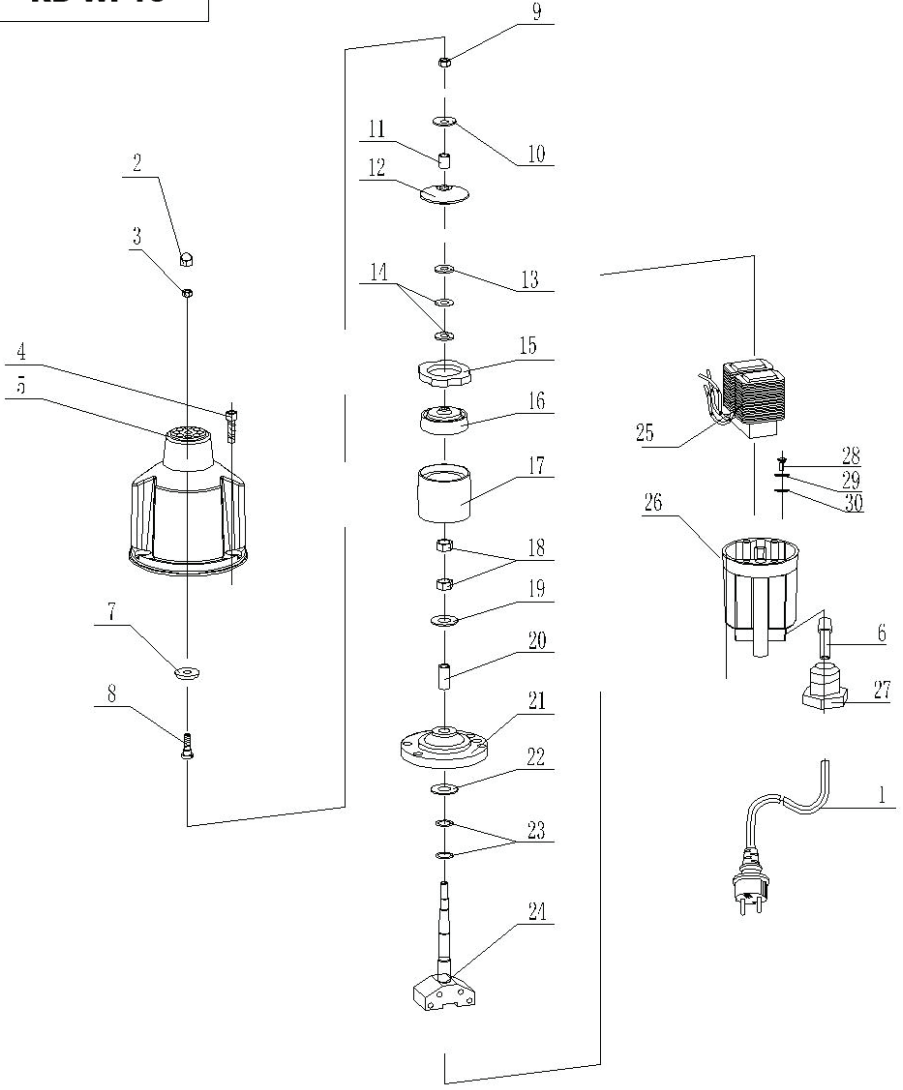
RD-WP002EX



PARTS LIST RD-WP002EX

No	Name	Material	Note	Qty
1	Power cord	H05RN-F3G0.75mm2		1
2	Float switch	6A		1
3	Screw	ST3.9×32	Stainless steel	4
4	Gasket	Φ4×9×0.5	Stainless steel	4
5	After the pump casing		PP-GF20	1
6	Cable sheath	Φ6.7-Φ7.7	NBR	1
7	Capacitance	6uF		1
8	Clinching Cable	Φ6.7-Φ8.7	PA	1
9	Cable briquetting		PA	1
10	Self-tapping screws	ST3.9×30.5	Galvanization	3
11	Grounding screw	M4×6		1
12	Spring washer	Φ4	65Mn	1
13	Ground-ray			1
14	Corrugated gasket	Φ4		1
15	Insulating cover		PP	1
16	Motor cover	(Large)	Galvanization	1
17	Waveform gasket	(Large)	65Mn	1
18	Bearing	6201Z		2
19	Rotor	2-D		1
20	The stator	25mm		1
21	Electric front cover	L41	ST14	1
22	Ring skeleton	Φ12×24×4.5		1
23	Mechanical seal	MG12		1
24	Retainer	Φ12		1
25	Primary O-ring	Φ89×5.2	Three yuan has C	1
26	Washer	Φ8×15×0.5	Stainless steel	1
27	Impeller	6	PA	1
28	Locknut	M8	Stainless steel	1
29	The main pump housing	112mm	PP-GF20	1
30	Ball	Φ5	Stainless steel	1
31	Small pads with tail		Stainless steel	1
32	Self-tapping screws	ST2.9×8	Stainless steel	1
33	O-ring base	Φ125×3.2	NBR	1
34	Base		PP-GF20	1
35	Self-tapping screws	ST3.9×24	Stainless steel	3
36	Floor		PP-GF20	1
37	Self-tapping screws	ST3.9×19	Stainless steel	3
38	Elbow O-ring	Φ37.5×3	NBR	2
39	Elbow		PP	1
40	Output connector		PP	1
41	Terminal cap (small)			3
42	Terminal cap (large)			2
43	Ties			1

RD-WP16



PARTS LIST RD-WP16

No	Name	Material	Note	Qty	specifications
1	Power cord			1	
2	Cover-type nut	Stainless steel	M6	1	
3	Locknut	Stainless steel	M6	1	
4	Screw	304	M8×30	4	Hexagon socket head cap screws
5	On the pump	ZL102		1	
6	Cable sheath	EPDM		1	
7	Inlet rubber sheet	NR		1	
8	Axial screw	35	M6*25	1	
9	Locknut		M8	1	
10	Bowl gasket		ø8.5*23*1.5	1	
11	Sucker bush	45	ø8.1*12*14.5	1	
12	Rubber suction cups	NR		1	
13	Bowl gasket	Q215	ø8.5×23×1.5	2	(Reference number)
14	Adjust the gasket	Q215	ø8.5×24×1.5	2	(Reference number)
15	Gland			1	
16	Rubber lining ring	NR		1	
17	Lining ring	ZL102		1	
18	Nut		M12	2	1-type hexagonal nut - fine tooth-A and Class B - color coating
19	Bowl gasket	Q215	2.0×28.5×1.5	1	
20	Flanged bushing	45	ø12.1×18×29	1	
21	Rubber flange			1	
22	Bowl gasket	Q215	2.0×28.5×1.5	1	
23	Adjust the gasket	Q215	d12.1×21×0.5	3	(Reference number)
24	Magnetic iron components			1	
25	Solenoid assembly			1	
26	Under the pump	ZL102		1	
27	Nut	Copper	G3/8"	1	
28	Grounding screw		M3*4	1	
29	Spring washer		ø3	1	
30	Corrugated gasket		ø4	1	
31	Epoxy resin			114g	A, B ratio of 5:1
32	Wire connector				
33	Yellow wax tube				
34	Heat shrinkable tube				
35	Ties				